

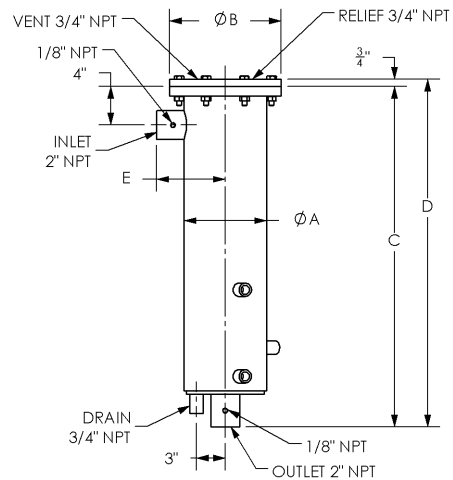
Facet's standard carbon steel MS Series SuperFlex™ filter housings are small, economical housings for in-line removal of solids from aviation fuels when equipped with Facet's FA, M or CIF Series High Efficiency filter cartridges.

## STANDARD HOUSING DESIGN

- Welded carbon steel construction
- ASME Code, Section VIII construction, stamped and certified
- Design pressure: 250 psi @ 250°F
- Main closure: Blind flange
- Head gasket: Buna-N—other materials available on request
- Vent connection: 3/4" NPT
- Drain connection: 3/4" 3000# NPT
- Inlet and outlet connections: 2" 3000# NPT
- Differential pressure gauge connection: 1/8" NPT
- Interior: Epoxy coated (MIL-PRF-4556)
- Exterior: Prime coated

## OPTIONS

- Air eliminator
- Air eliminator check valve
- Manual drain valve
- Pressure gauge assembly
- Pressure relief valve
- Sampling probe
- Adjustable support stand



## DATA

MODEL NUMBER	JET FUEL and AV-GAS*		A		B		C		D		E		WEIGHT		LIQUID VOLUME	
	gpm	lpm	in.	mm.	in.	mm.	in.	mm.	in.	mm.	in.	mm.	lbs.	kgs.	gals.	ltrs.
MS-1C-A	66	250	8 5/8"	219	11 1/8"	295	35 3/8"	899	36 1/8"	918	7 1/8"	181	100	45	7	26
MS-2C-A	133	503	8 5/8"	219	11 1/8"	295	49 7/8"	1267	50 5/8"	1286	7 1/8"	181	125	56	10	38
MS-3C-A	200	757	8 5/8"	219	11 1/8"	295	63 7/8"	1622	64 5/8"	1641	7 1/8"	181	200	90	13	49

Initial Pressure Drop 2 psig

Cartridges are selected separately to fit specific application requirements and will be included in the final housing model number.

All dimensions, weights and volumes are for estimating only.

\*Consult factory for flow rates when using E11590 Qualified Elements. (FA Series)